

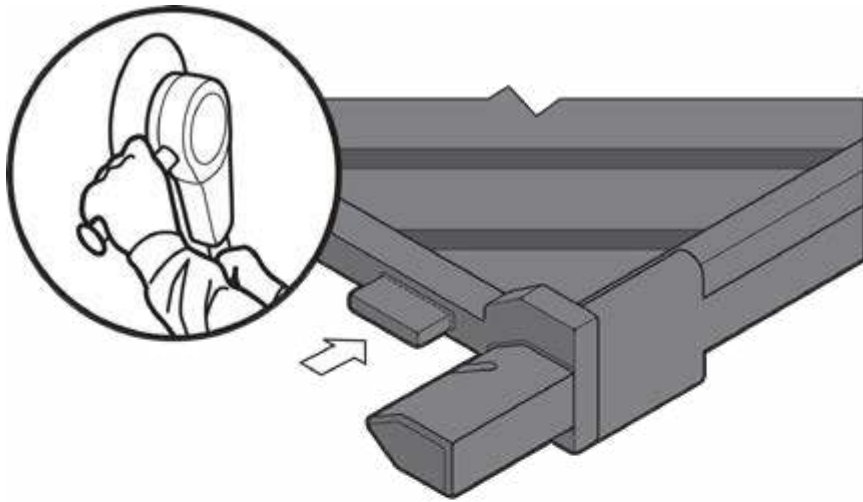


ULTRATECH
INTERNATIONAL, INC.

Ultra-Twin IBC Hard Top Assembly Instructions



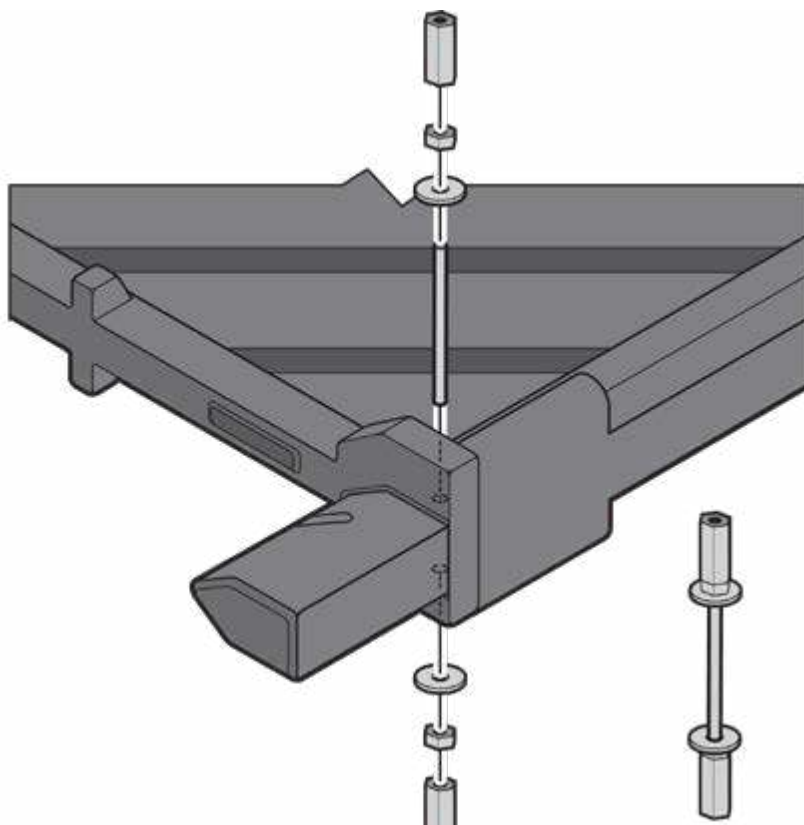
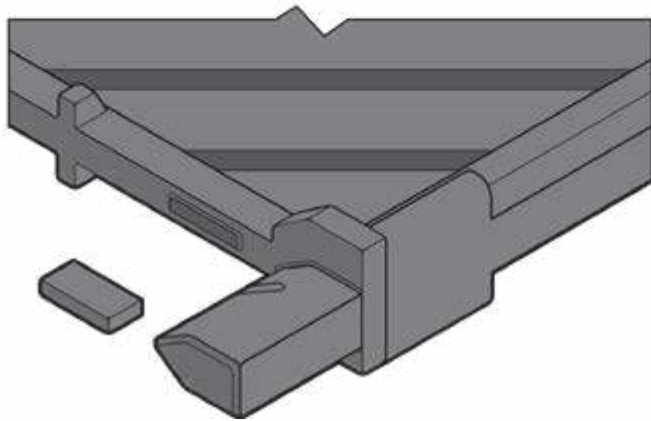
NOTE: The parts/components used to build the Ultra-Twin IBC Hard Top are used for several other UltraTech products as well. These parts and components are pre-packaged as they are manufactured. It is for this reason that there is hardware that is discarded (Step 3) and a step where a part of the wall must be cutoff (Step 1)



Step 1: Center Wall Preparation

Inspect black center wall. If tabs are in place, they will need to be cut to be flush the bottom surface of the wall.

This can be done with a circular saw, jig saw or reciprocating saw.



Step 2: Center Wall Preparation

Install interior wall nut assemblies in the corners at the top and bottom of the center wall.

Step 3: Organizing All Thread

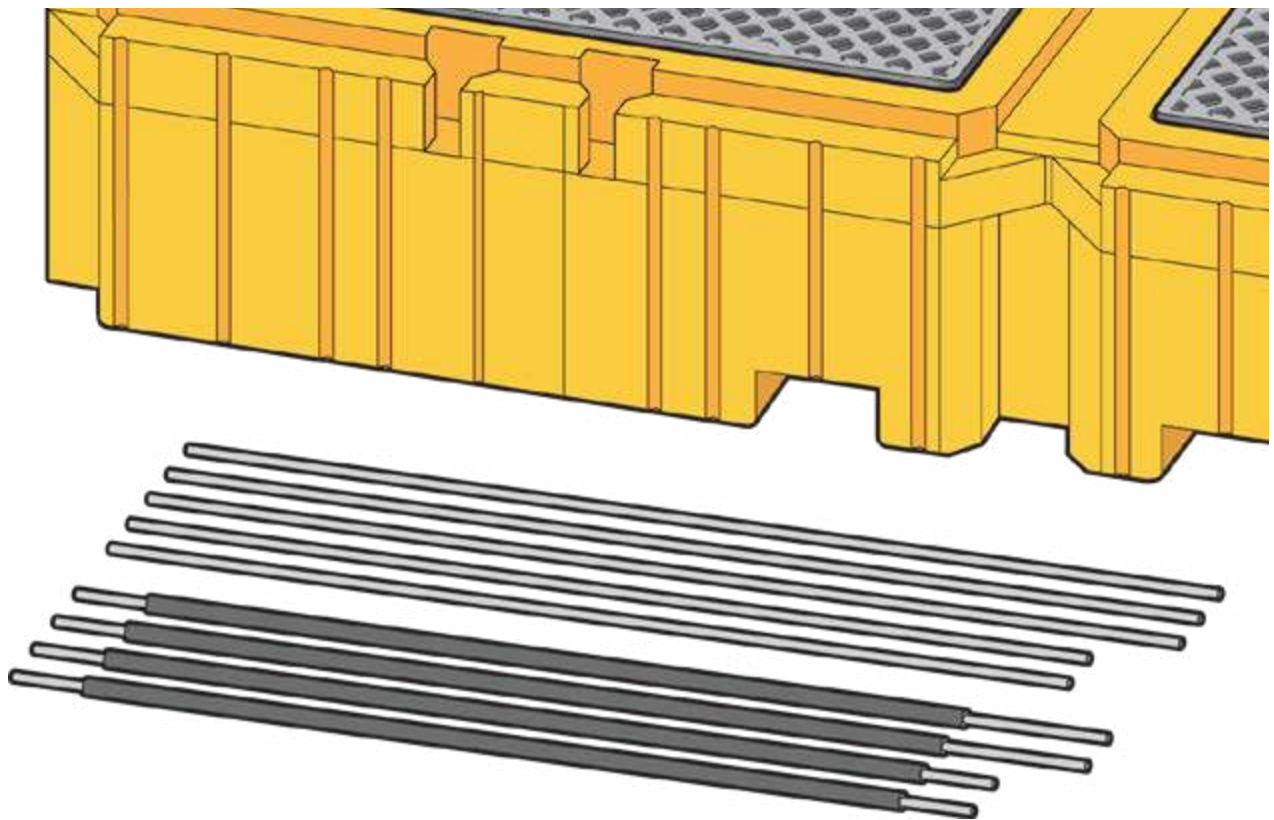
IMPORTANT: Not all the pieces of all thread are used in the assembly of the Twin IBC Hard Top.

You will receive thirteen (13) pieces of all thread but will only need eight (8) pieces (four pieces with black plastic sleeves and four without).

Four of these pieces (two with black plastic and two without) are 56 1/2". All of the other pieces should be longer at 59 1/2"

DISCARD remaining pieces of all thread.

Remove and discard any preinstalled nuts on the remaining pieces of all thread.

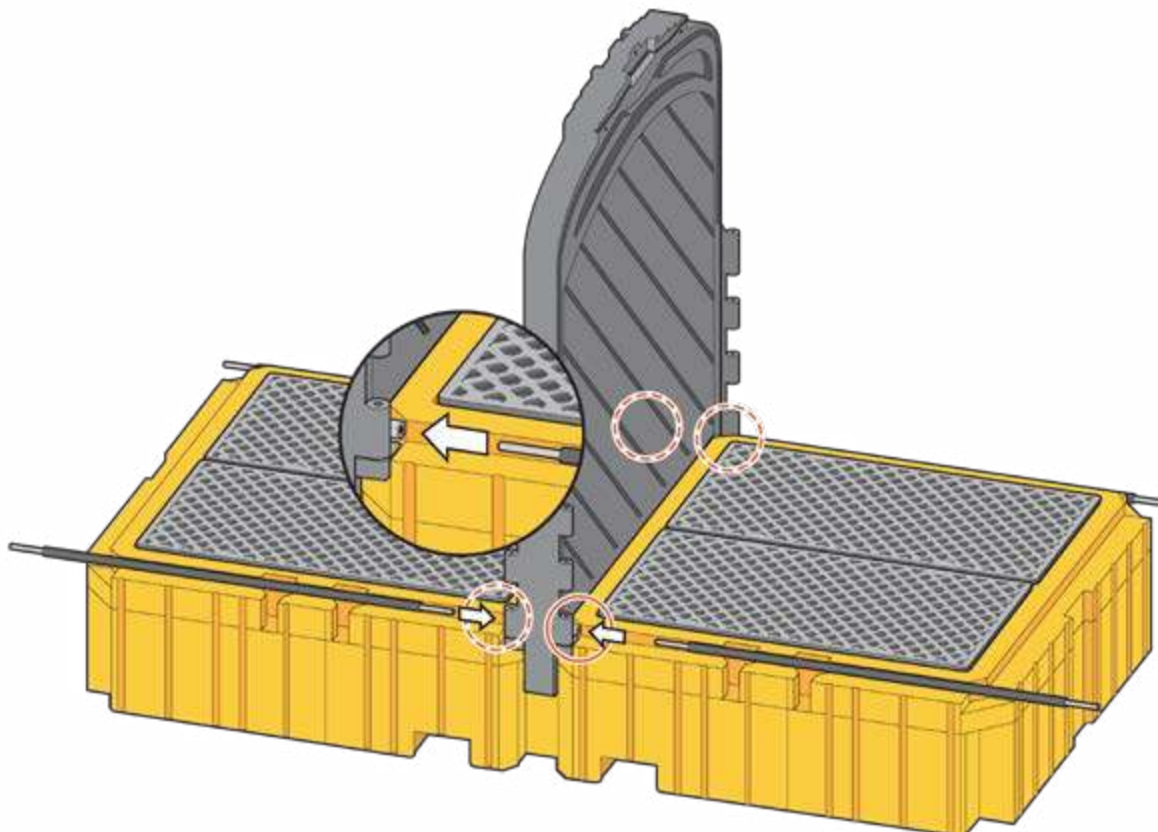
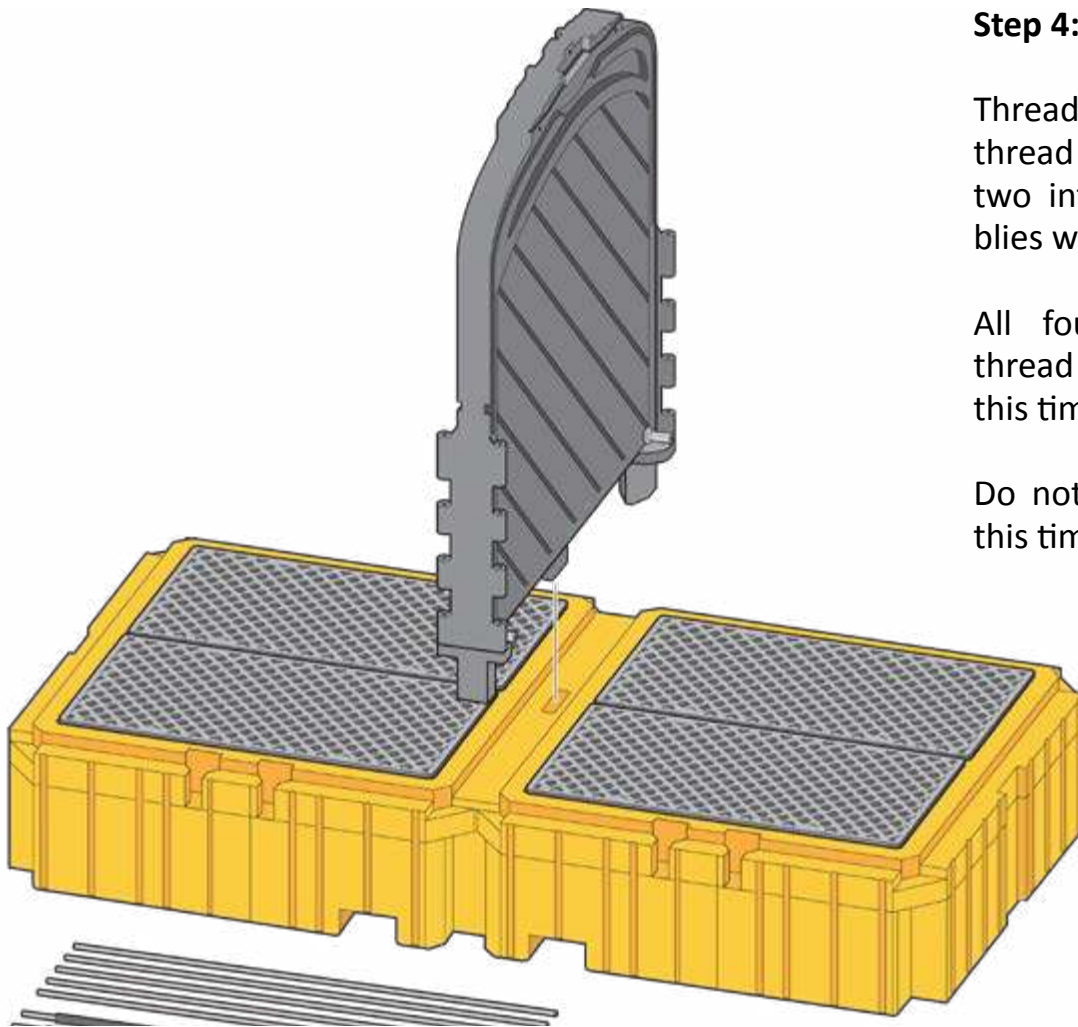


Step 4: Installing Center Wall

Thread the black covered all thread rods into the bottom two interior wall nut assemblies with jam nuts about $\frac{1}{4}$ ".

All four black covered all thread should be installed at this time.

Do not start the top rods at this time.

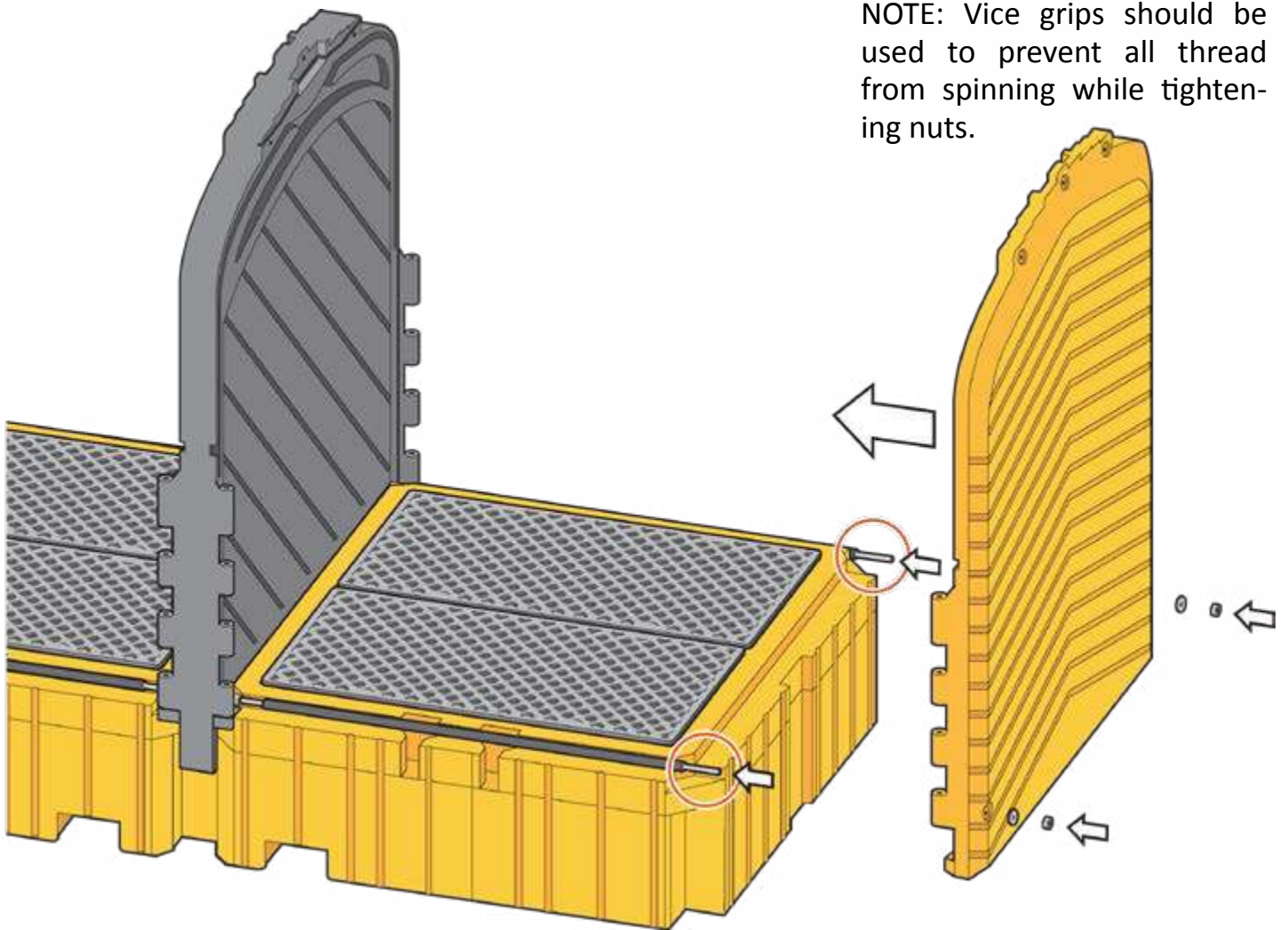


Step 5: Installing Outer Walls

Position one outer wall insuring all thread goes through bottom corner holes.

Install washer and nylon lock nut. Tighten enough to keep wall on the edge of the pallet. Final tightening will be done in a later step.

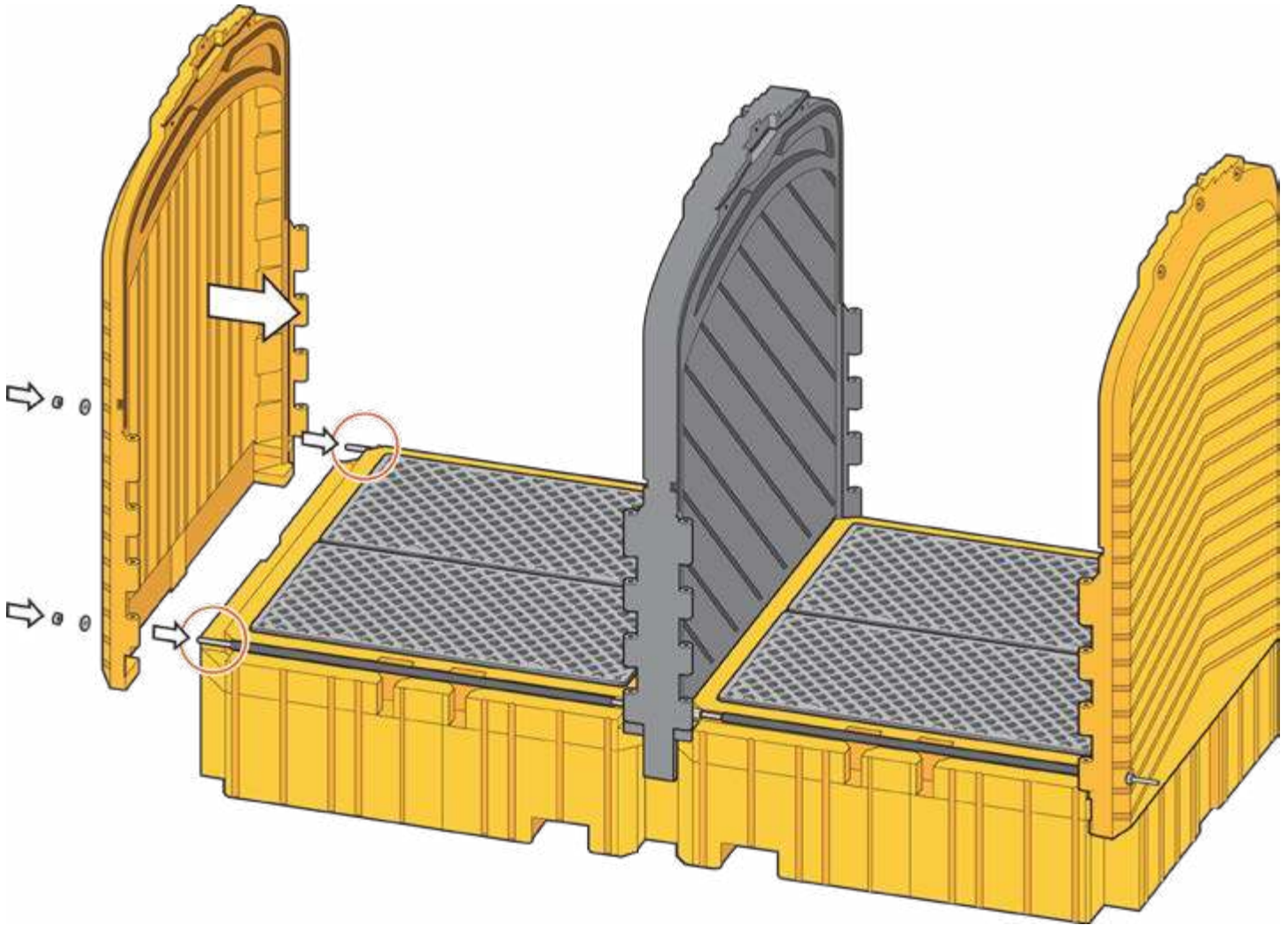
NOTE: Vice grips should be used to prevent all thread from spinning while tightening nuts.



Step 6: Installing Outer Walls

Position the other outer wall insuring all thread goes through bottom corner holes.

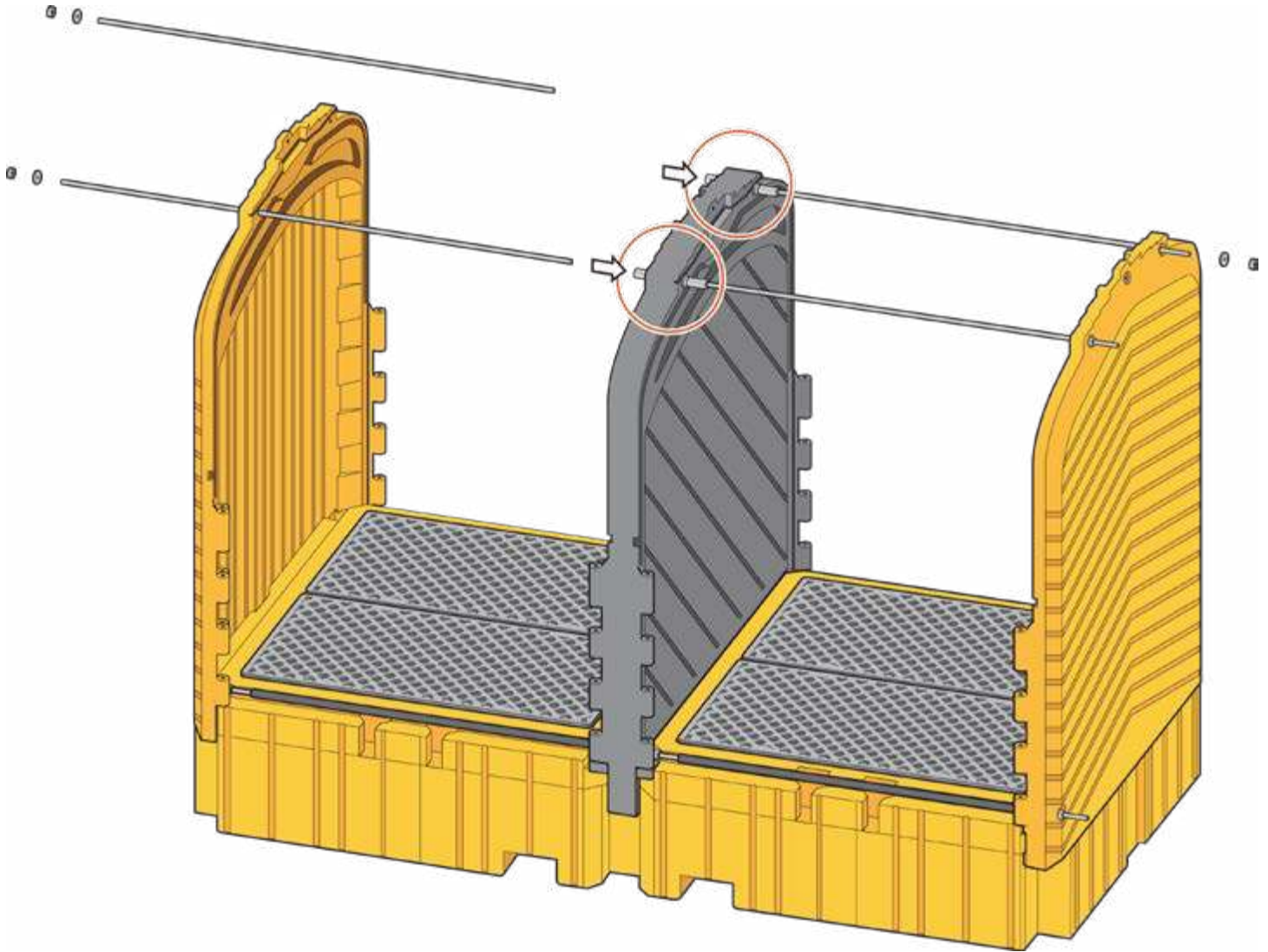
Install washer and nylon lock nut. Tighten enough to keep wall on the edge of the pallet. Final tightening will be done in a later step.



Step 7:

Thread the all thread rods into the top two interior wall nut assemblies with jam nuts about $\frac{1}{4}$ ".

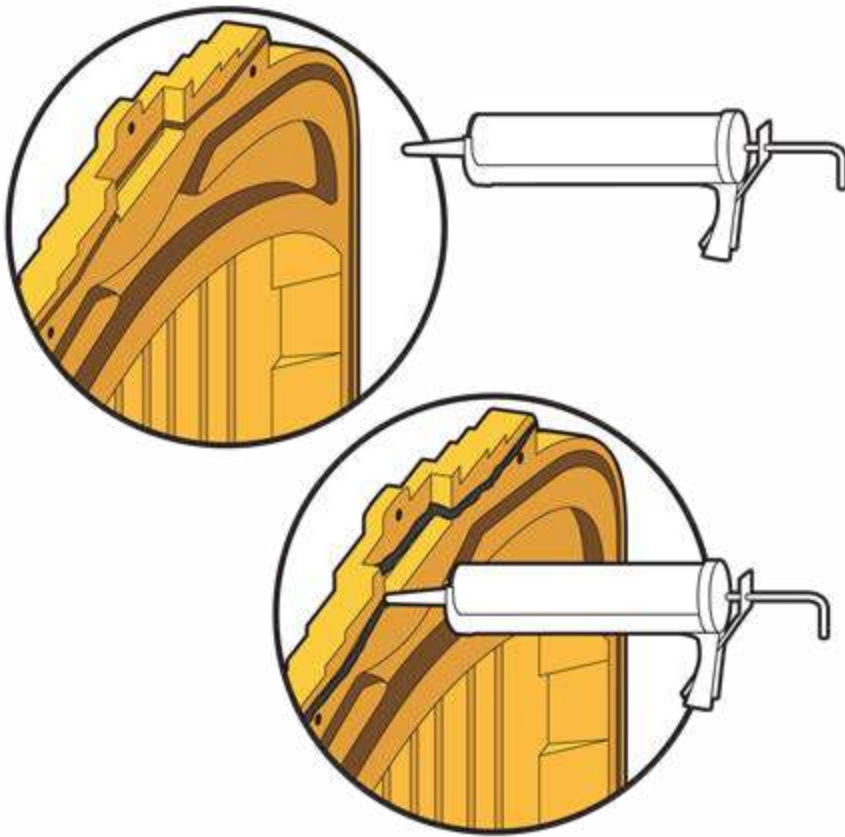
All four all thread rods should be installed at this time.



Step 8: Caulking

Thoroughly caulk both the center wall and sidewalls the full length and depth of the groove that mates with the roof tongue.

Approximately 1/2 tube per channel should be used.



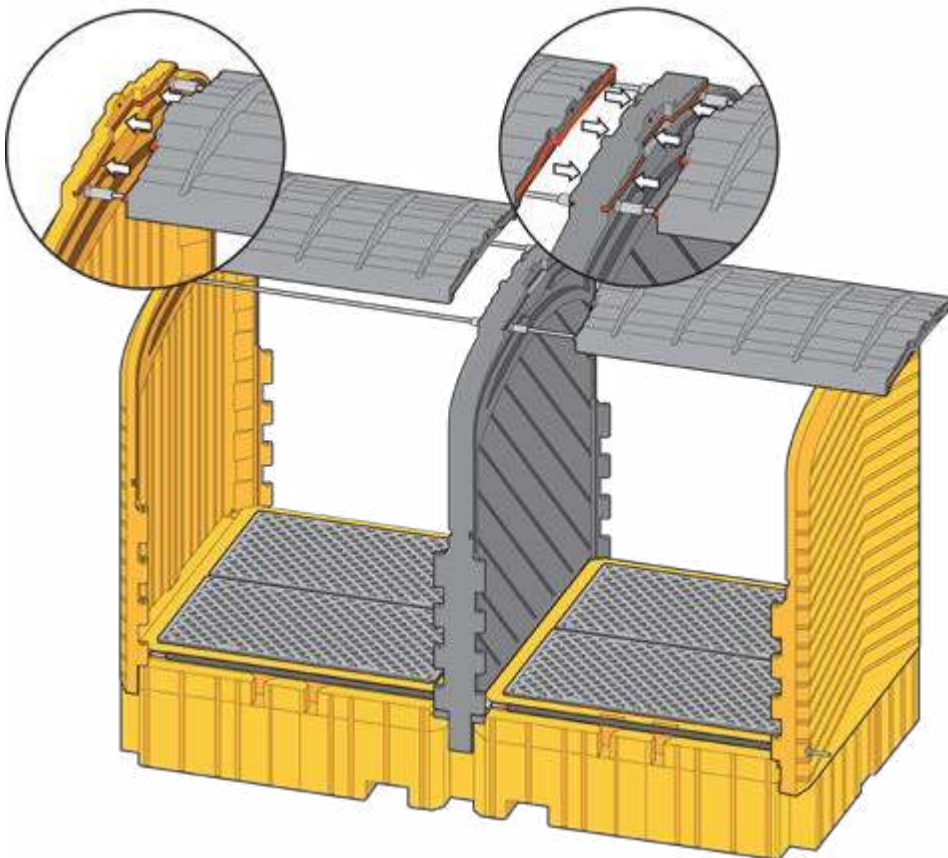
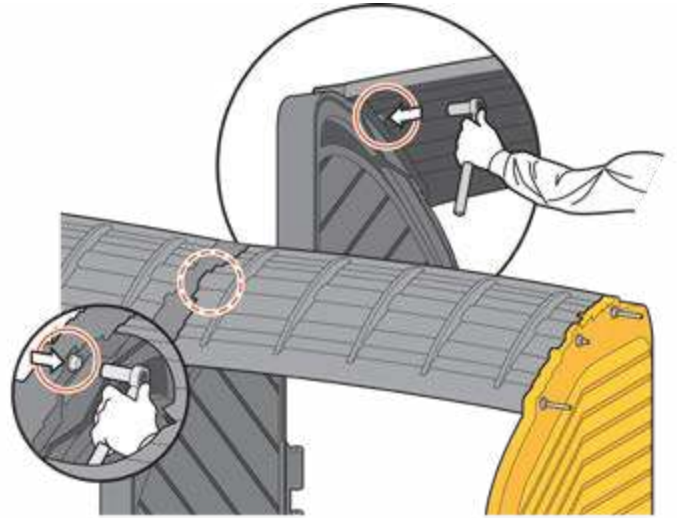
Step 9: Installing Roof

Rest roof on all thread.

Pull black gasket over all thread on both sides.

Step 10a: Installing/Securing Roof

Once roof sections are in place, start the top two washer and locknuts onto the threaded rods.



Step 10b: Installing/Securing Roof

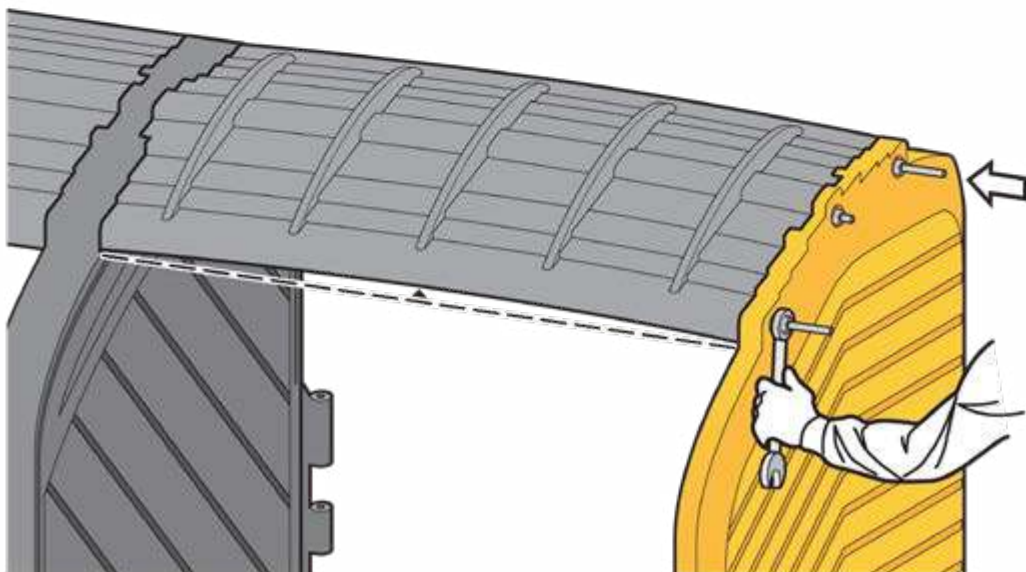
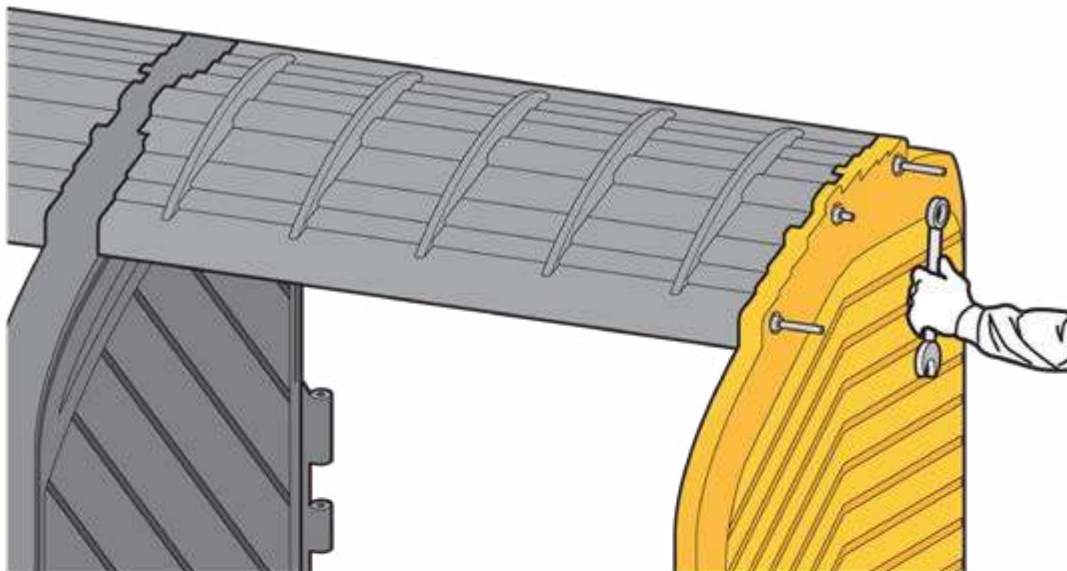
Using vice grips, hold the all thread to prevent it from moving. Tighten the locknut until the roofline starts to bow.

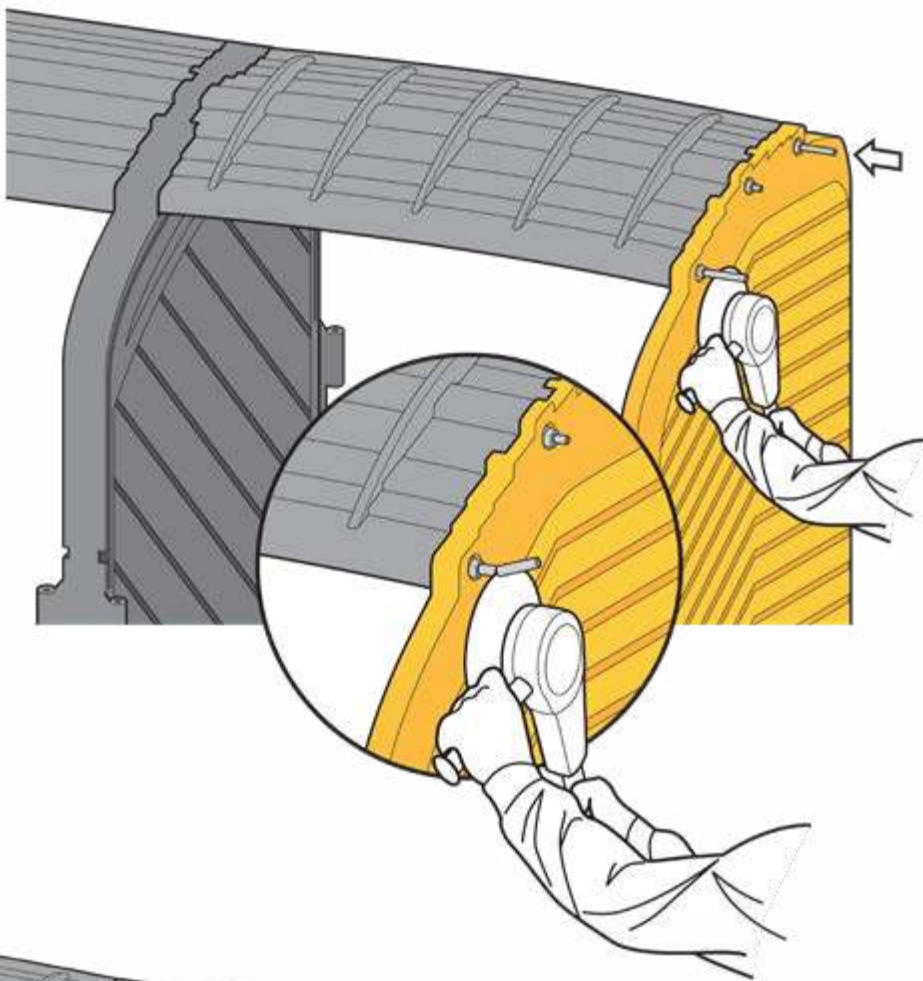
Make sure the roof tongues are in the grooves of the walls.

Repeat this for the other all thread rod.

Tighten until roof has a slight visible bow.

Repeat with second roof section.

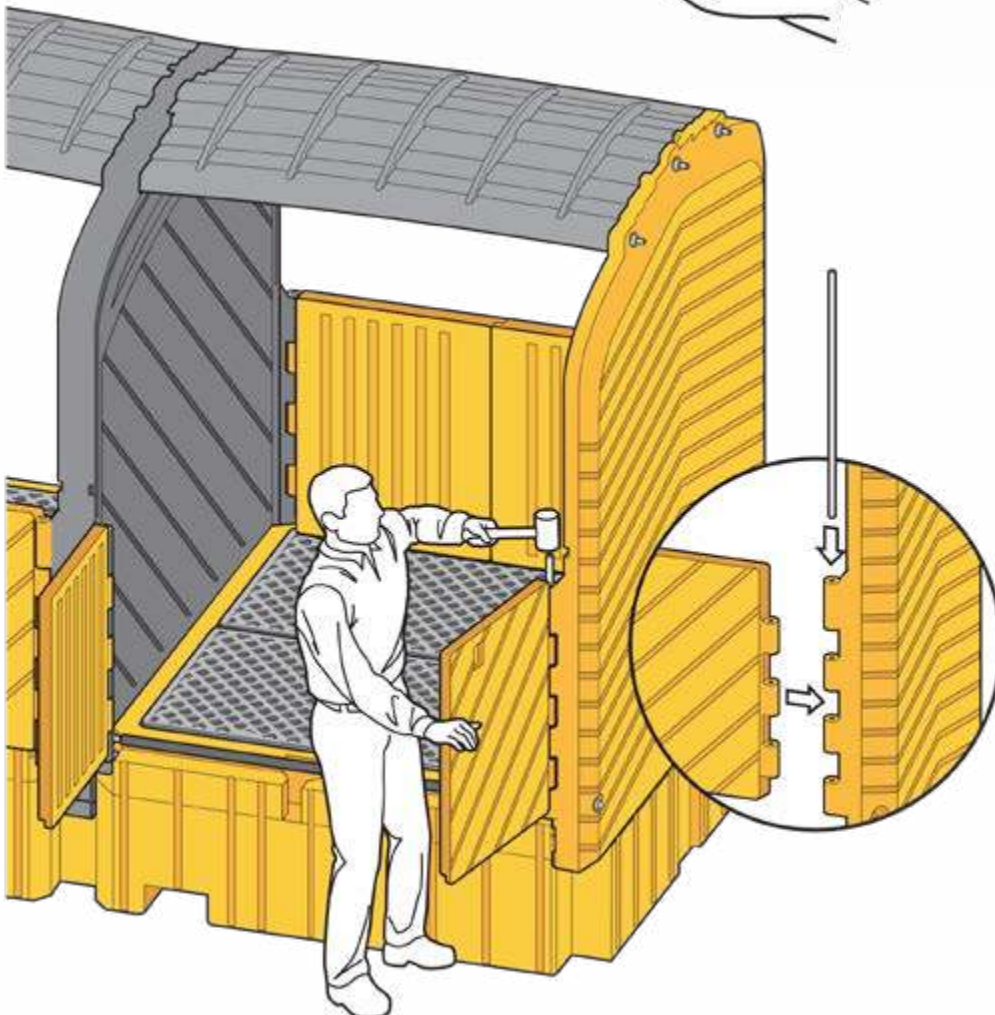




Step 11:

Grind down any extra long all thread to prevent injury. (Use proper hand/eye protection)

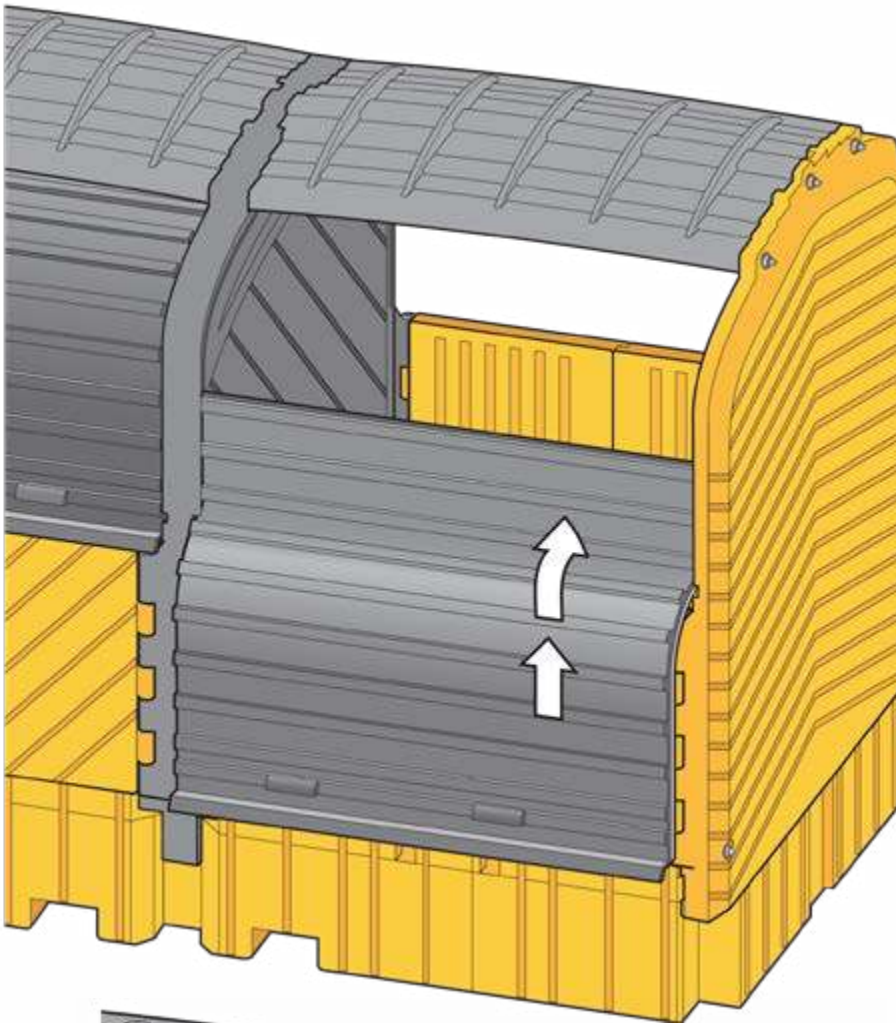
Use deep well socket to do any final tightening that may be necessary.



Step 12: Install lower doors

Align the right door hinge pin holes with the hinge pin holes in the sidewall. Slide the hinge pin tube into the aligned holes (a rubber mallet can be used to help get the pin through the holes)

Repeat this step for the remaining right door and left doors.



Step 13:

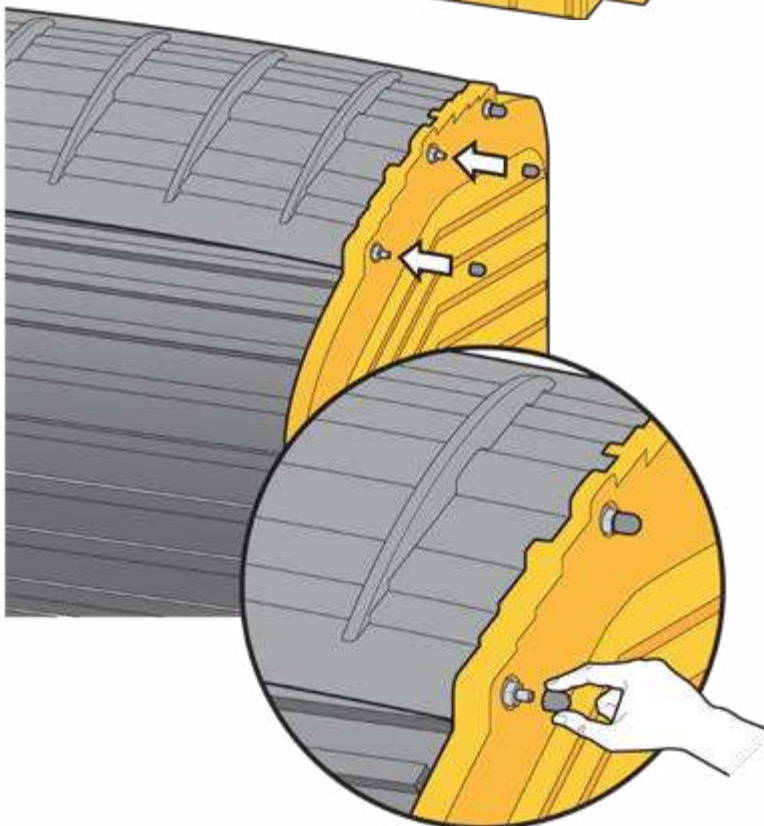
Place the top edge of the roll top door into the notches of the sidewalls. (The door may need to be bowed slightly to place the edges into the notches.)

Then push the door up into the track, until the entire door is in the track.

Once the roll door is in the track slide it down to its closed position.

Repeat this step for the opposite side.

NOTE: Use of silicone spray along the track can make installation of the doors easier.



Step 14:

Place the black plastic caps (22) on the outside exposed threads.

The Twin IBC Hard Top is now ready for use.