

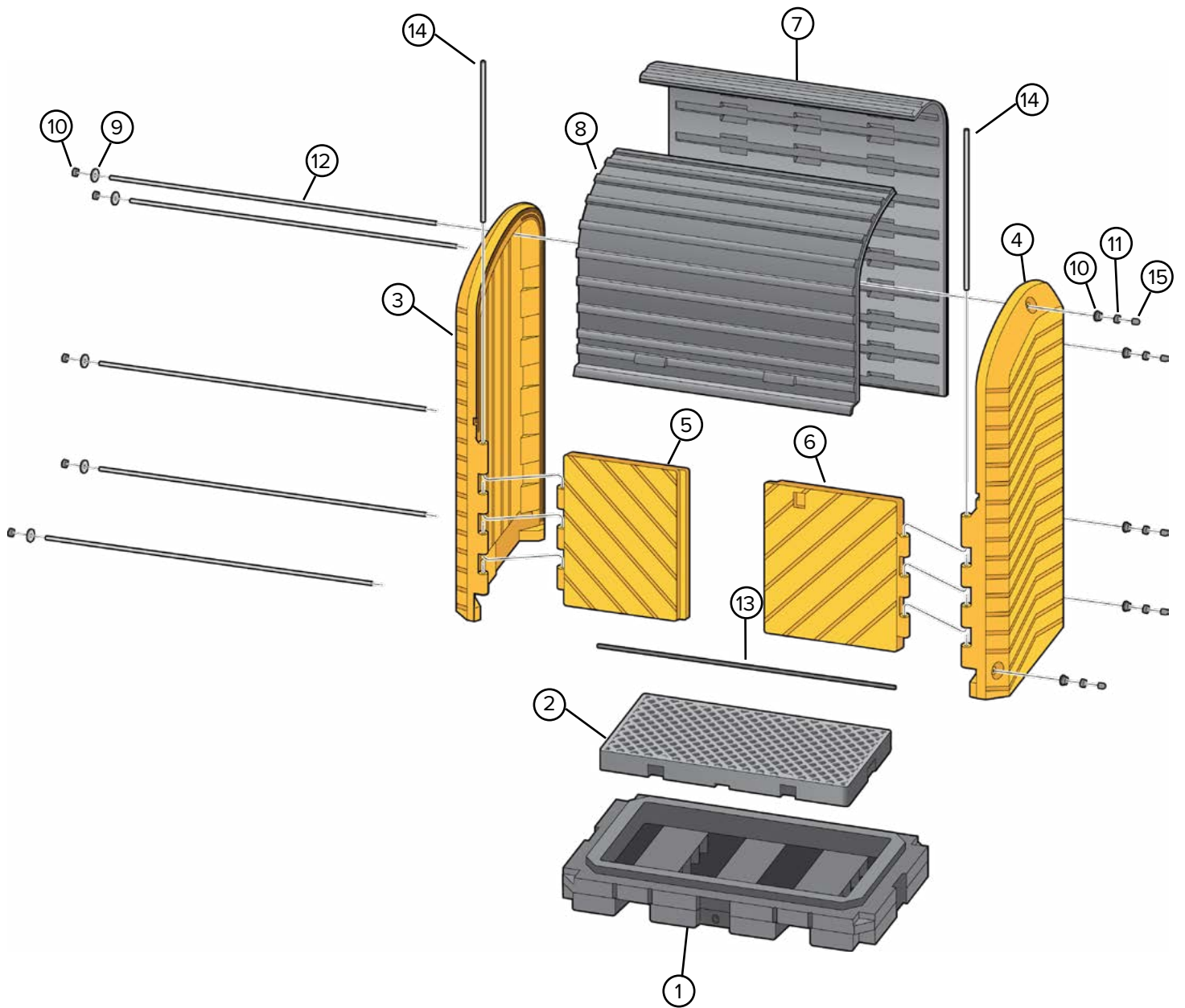


## Ultra-Hard Top P2 Plus

Part No. 9612 / 9613

### Parts List

| Diagram #<br>(See next page) | Quantity | Description                             |
|------------------------------|----------|---|
| 1                            | 1        | 2 Drum Heavy Duty Spill Pallet          |
| 2                            | 1        | 4 ¼" x 26" x 52" Polyethylene Grate     |
| 3                            | 1        | Left Sidewall                           |
| 4                            | 1        | Right Sidewall                          |
| 5                            | 1        | Left Lower Door                         |
| 6                            | 1        | Right Lower Door                        |
| 7                            | 1        | Back Panel                              |
| 8                            | 1        | Front Rolling Door                      |
| 9                            | 10       | 1. 5" O.D. Flat Washer                  |
| 10                           | 5        | 3/8"-16UNC Acorn Nut                    |
| 11                           | 5        | 3/8"-16UNC Nylon Lock Nut               |
| 12                           | 5        | 3/8"-16UNC X 62 ¾" All Thread           |
| 13                           | 1        | 3/8" I.D. Black Plastic Pipe x 57" Long |
| 14                           | 2        | ½" EMT Conduit X 29 7/8" Long           |
| 15                           | 5        | 3/8" Black Plastic Thread Cap           |



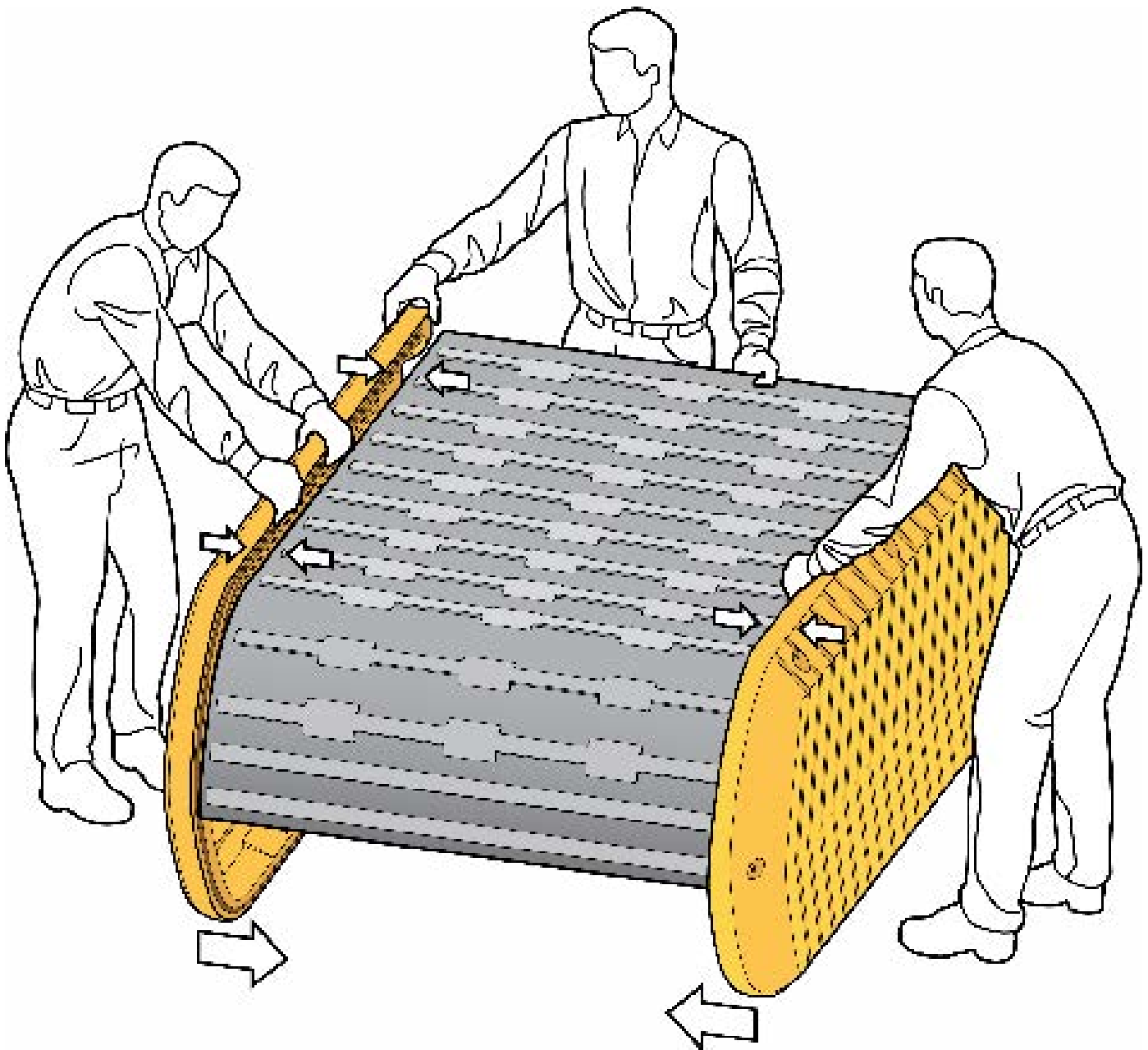
## Assembly Instructions

**Note:** The installation of the back panel to the sidewalls will require 3 people.

Lay the left (3) and right (4) sidewalls on the floor with the hinges facing down.

Slide the back panel (7) in the channel at the bottom of the sidewalls.

Continue to slide the back panel up the channel until the last rib on the back panel aligns with the holes in the bottom of the sidewalls.



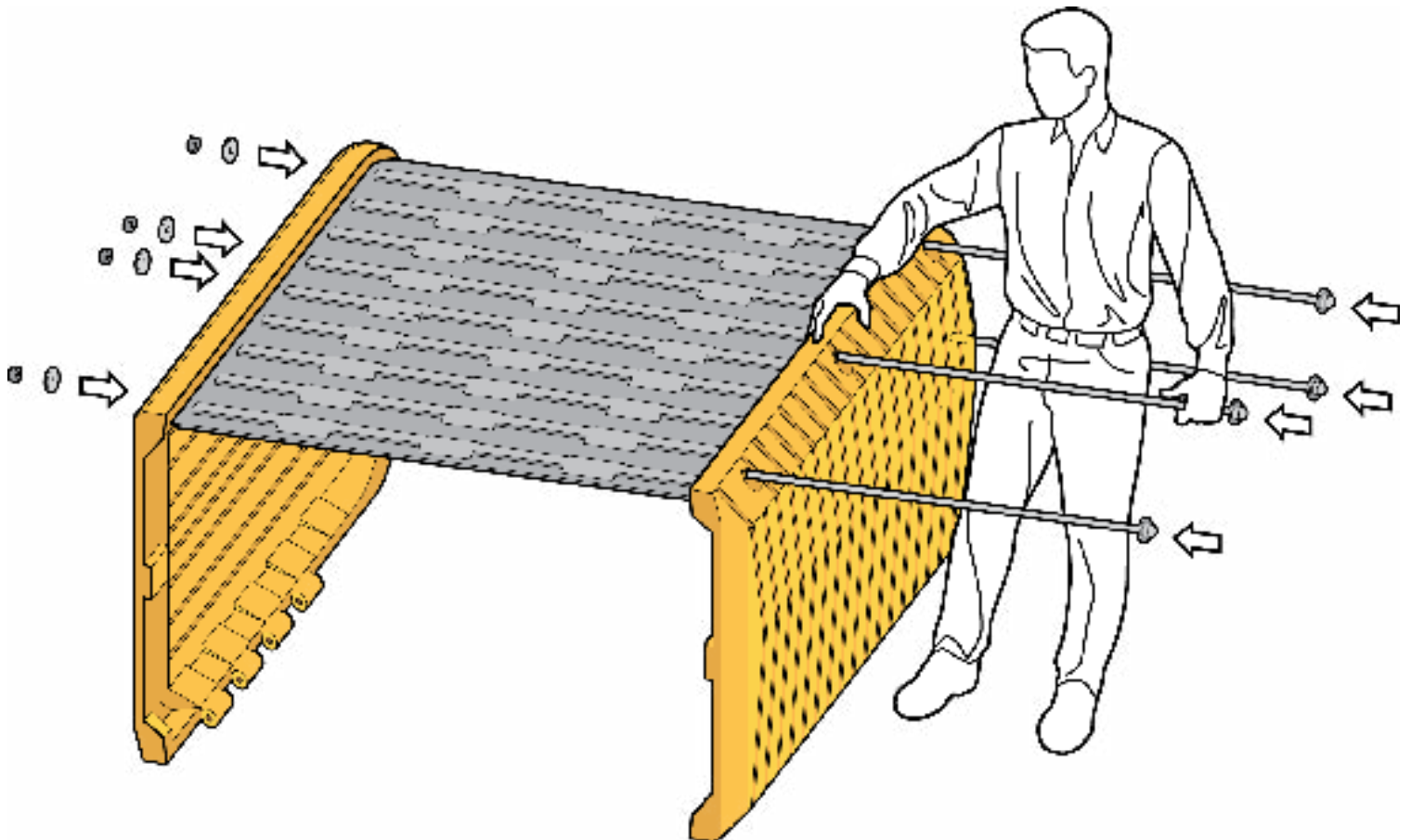
**Note:** The all thread rods (12) will have an acorn nut (10) installed at the factory with thread locker applied to the all thread rod and acorn nut.

Slide a 1 ½” flat washer (9) over the end of the rod. Slide the rod through the hole in the sidewall and the slotted hole in the rib. From underneath continue to slide the rod through the slotted hole in the rib and the hole in the sidewall on the opposite side.

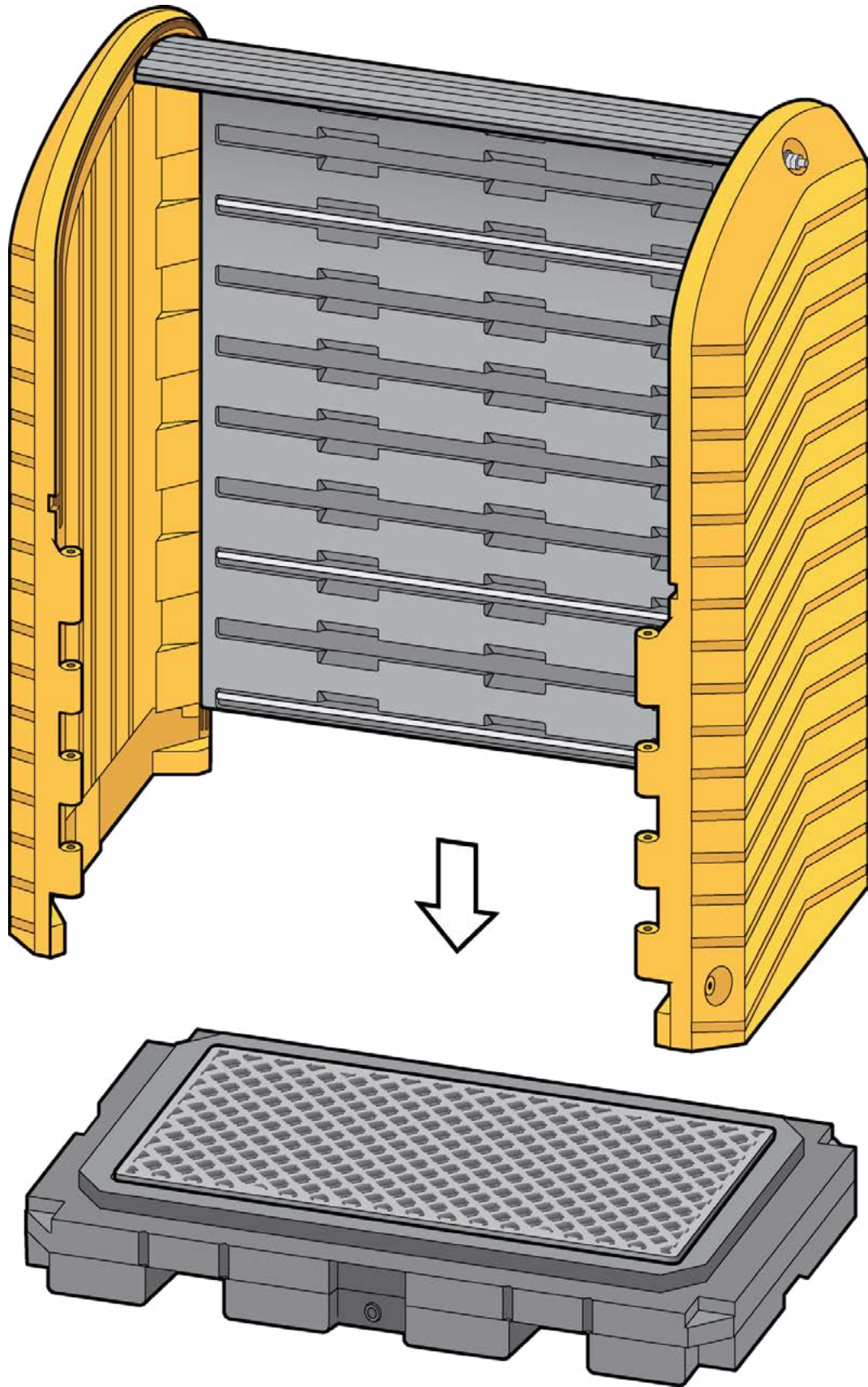
Attach a 1 ½” flat washer and nylon locking nut (11) to the end of the rod. Only finger tighten the nylon locking nut. Repeat this step for the next hole on the side wall and slotted rib hole.

Do not place a rod in the 3rd hole from the bottom; this rod will be attached later.

Repeat the steps above for the final hole in the top of the sidewall.

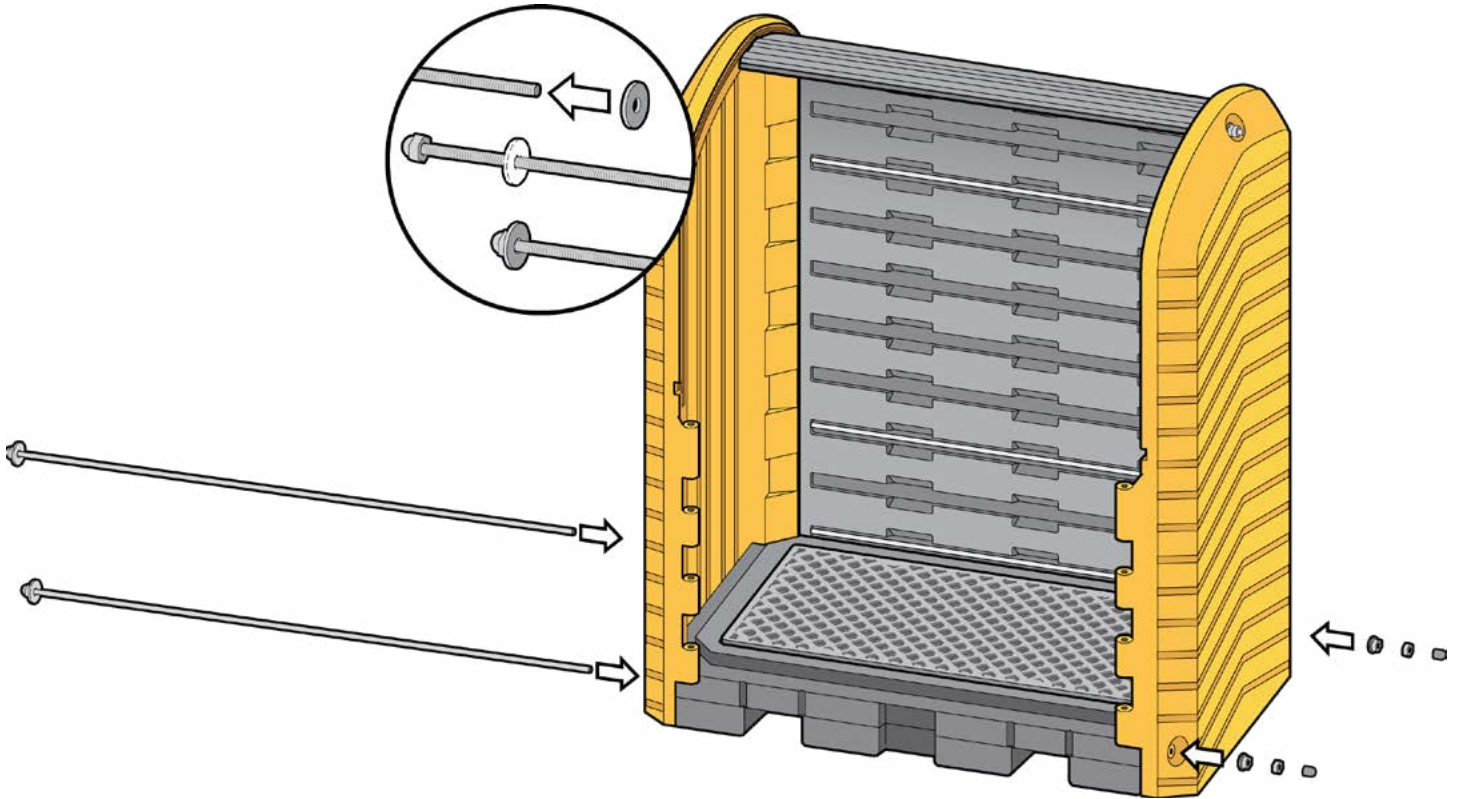


Stand the assembled sidewall and back panel upright and place the all thread rod through the 3rd hole from the bottom using the same steps to attach this rod as the previous rods.



Place the assembled sidewalls and back panel on top of the spill pallet (1) with the grate (2) installed.

The bottom tabs on the sidewalls fit into notches in the sides of the spill pallet and the upper tabs on the sidewalls should rest in notches on the top of the spill pallet.

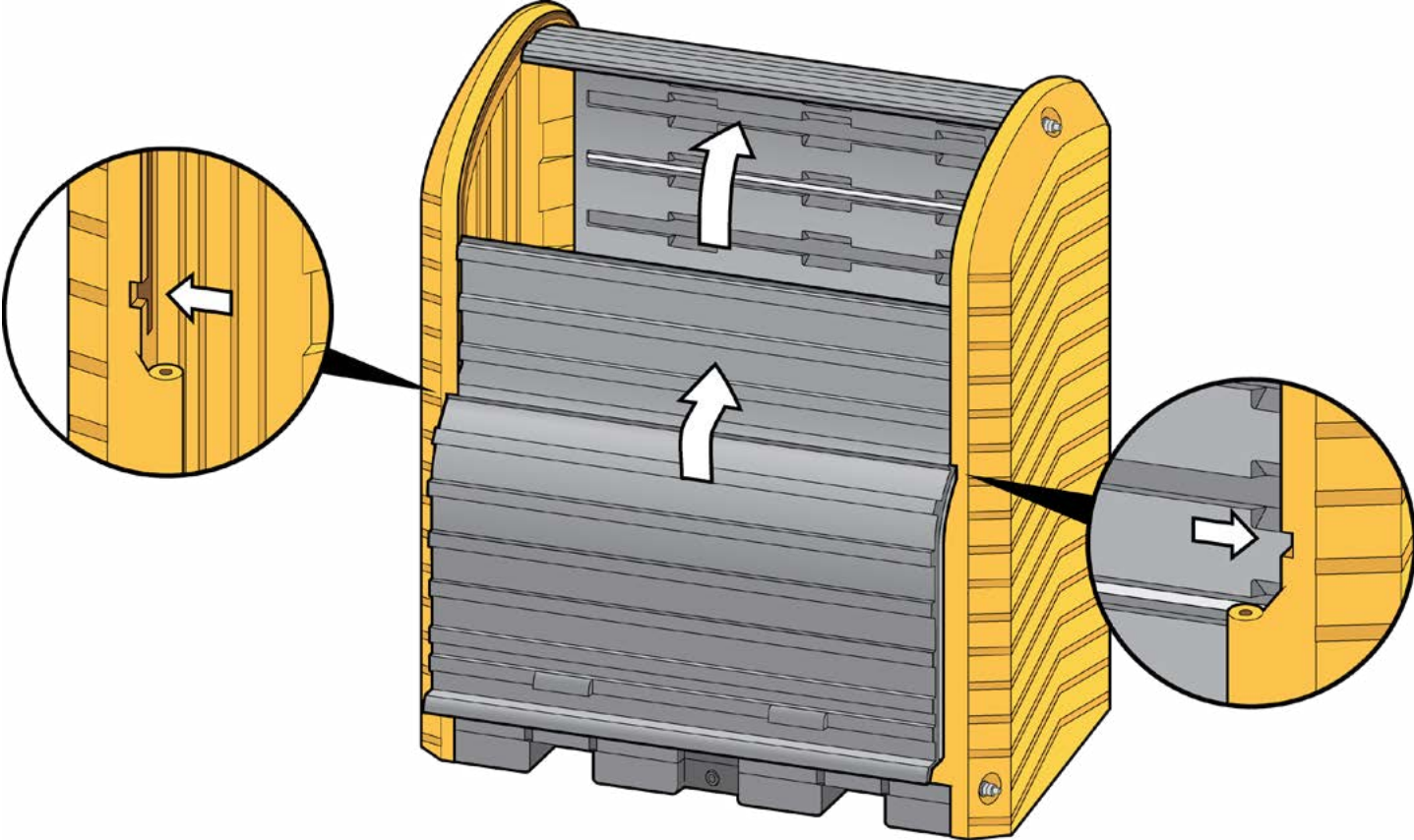


Using a 5/8" socket or wrench hold the acorn nut while turning the nylon locking nut with a 9/16" deep well socket or wrench, tighten the bottom rear attachment rod till both sidewalls are tight against the spill pallet sides.

Repeat this step for the front bottom attachment rod.

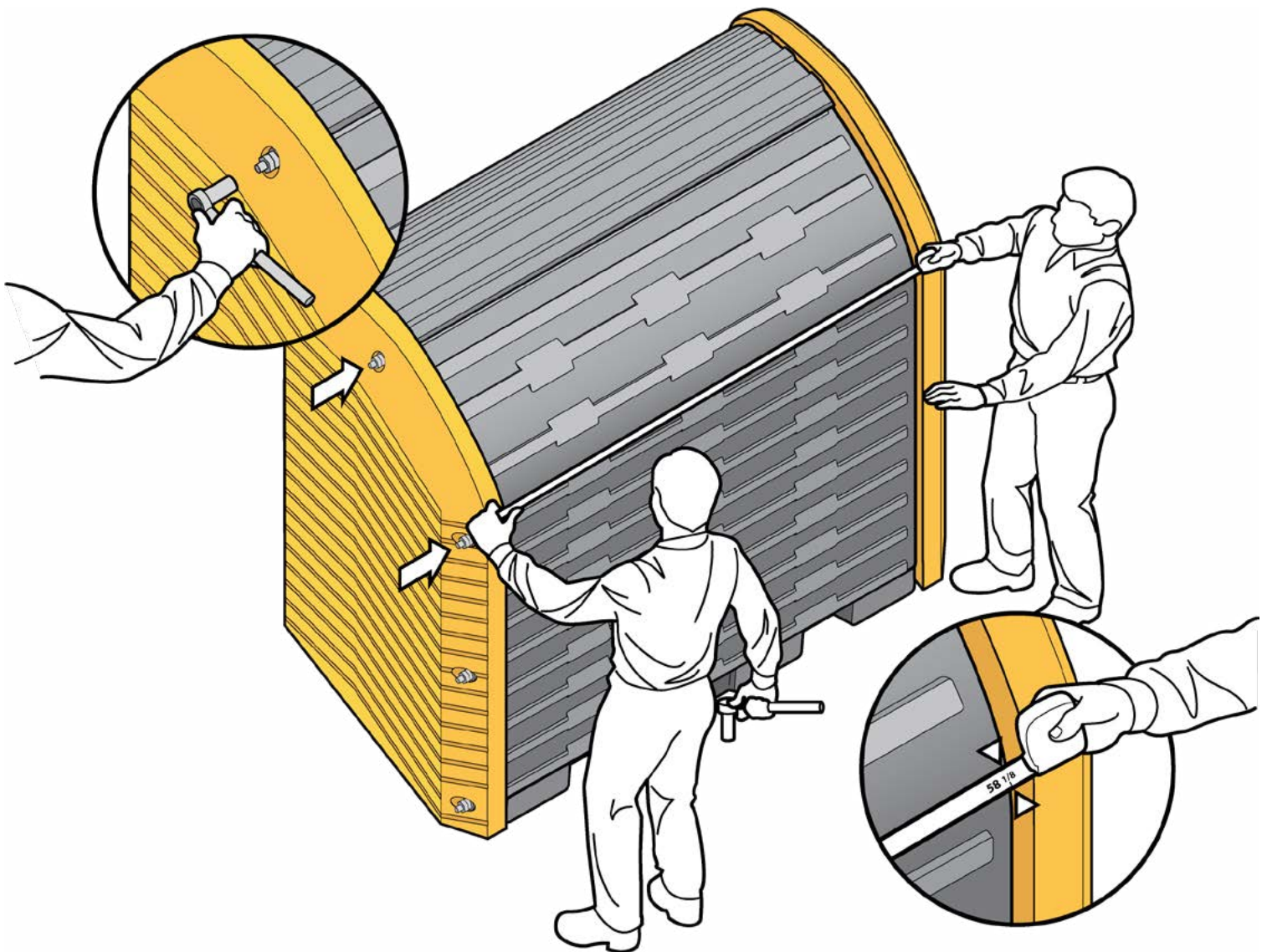
On the back panel tighten the second attachment rod from the bottom until the sidewalls just touches the rib on both ends.

Slide the rolling door (8) in the slots in the sidewall, then slide the rolling door up sidewalls until all of the door edges are inside the channel.



On the back panel tighten the 3rd threaded rod from the bottom to a distance of 59 ¾” between the sidewalls. Then tighten the top threaded rod to a distance of 59 ¾” between the sidewalls.

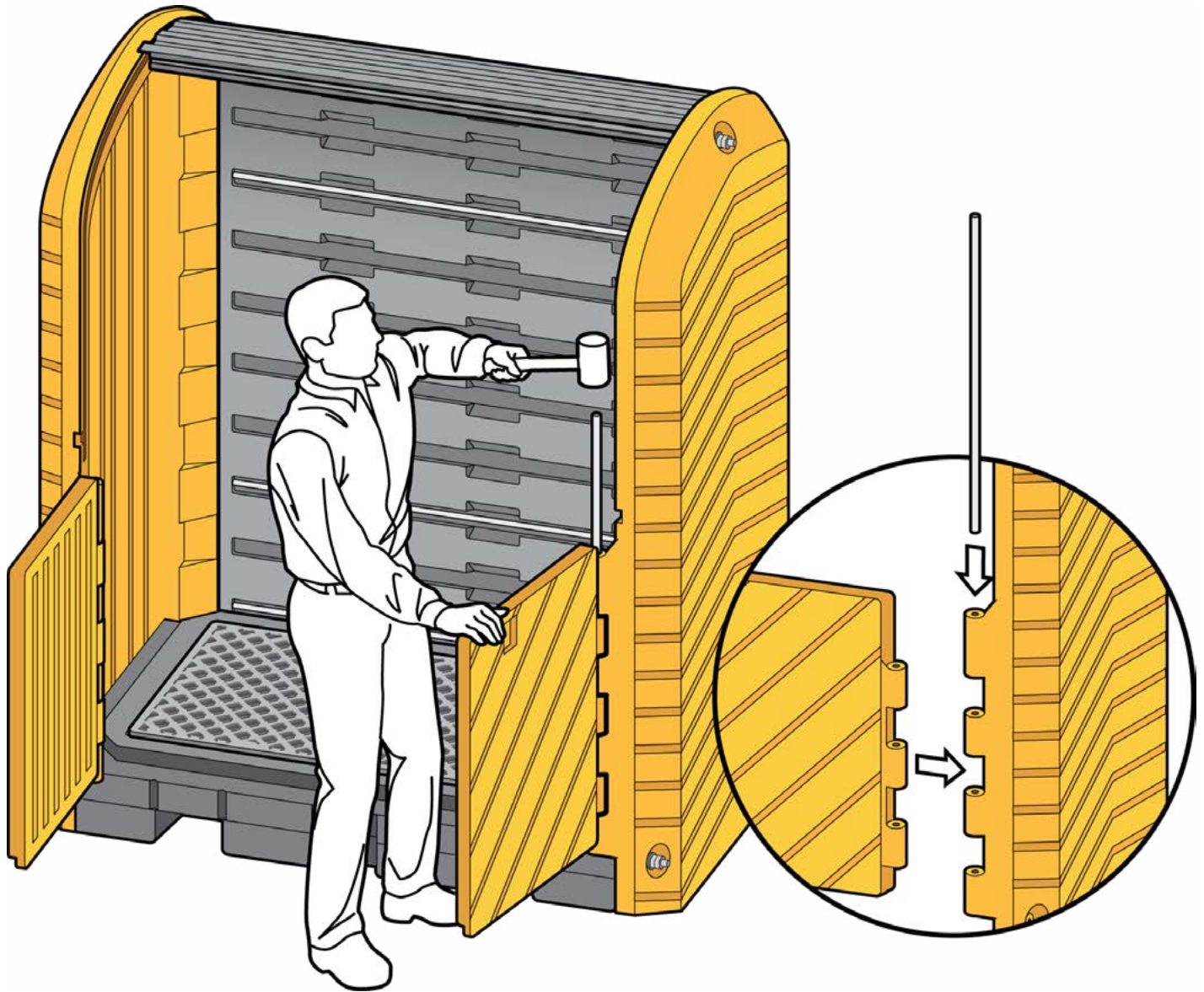
**NOTE:** Due to vibration during transit from the warehouse to the final destination, the nuts holding the sliding door between the sidewalls may have loosened slightly. Once the Ultra-Hard Top P2 Plus model is in place and prior to using it to store drums, tighten the threaded rods so that there is a distance of 59-3/4” between the sidewalls. This will ensure that the sliding doors do not disengage during use.



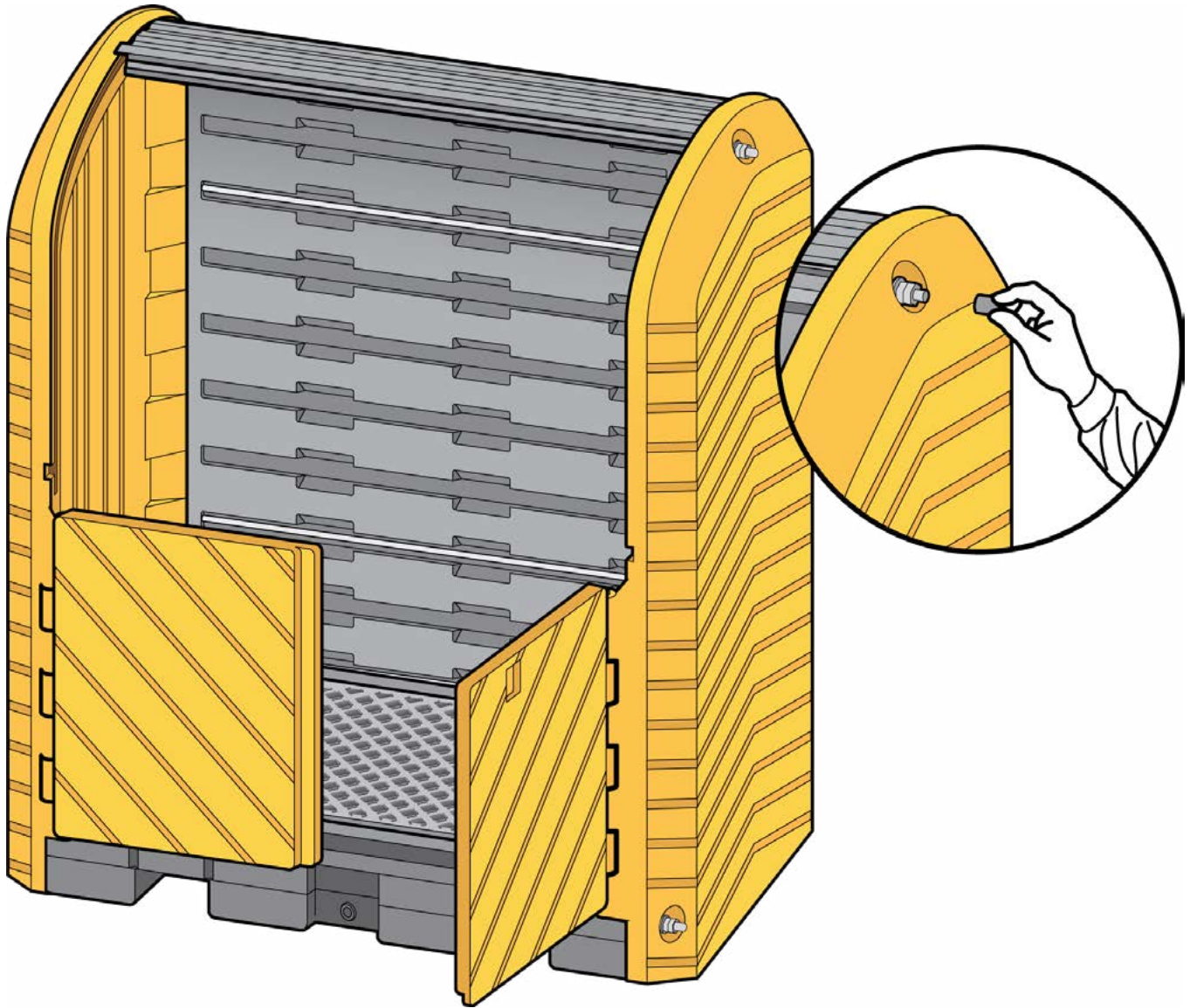


Install the left (5) and right (6) doors by aligning the hinge hole in the door with the hinge hole in the sidewall.

Start the ½" EMT conduit into the aligned holes, then finish tapping the conduit through the remaining holes till the top of the conduit is below the top of the door.



Place a plastic thread cap (15) on each of the threaded rod ends.



The Ultra-Hard Top P2 Plus is now ready for use.