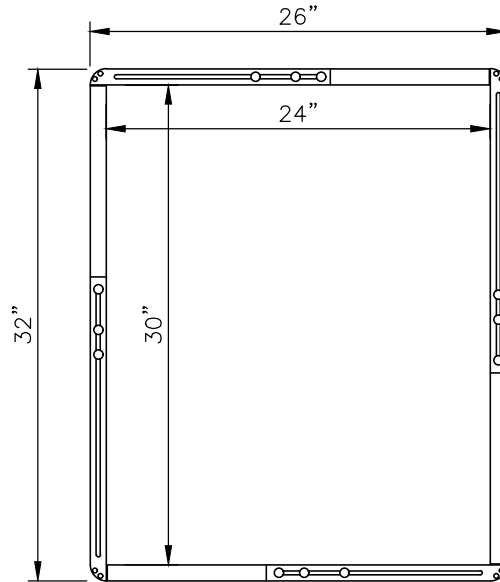
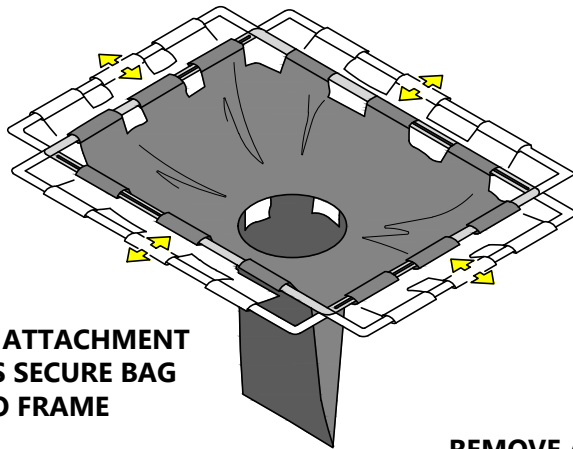


**ADJUSTABLE FRAME
MINIMUM INLET SIZE
(14"X18")**

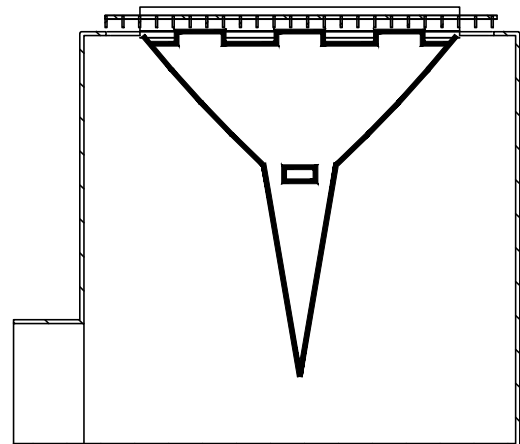


**ADJUSTABLE FRAME
MAXIMUM INLET SIZE
(24"X30")**



**VELCRO ATTACHMENT
STRAPS SECURE BAG
TO FRAME**

**REMOVE AND
REPLACE BAG WHEN
FULL OF SEDIMENT**



Ultratech International, Inc.
11542 Davis Creek Ct, Jacksonville, FL 32256
800-764-9563
<https://spillcontainment.com/>

**ULTRA-DRAIN GUARD
ADJUSTABLE FRAME MODEL WITH BAG**

THE INFORMATION CONTAINED IN THIS DRAWING IS THE SOLE PROPERTY OF ULTRATECH INTERNATIONAL, INC. ANY REPRODUCTION IN PART OR AS A WHOLE WITHOUT THE WRITTEN PERMISSION OF ULTRATECH INTERNATIONAL, INC. IS PROHIBITED.

DATE 3/20/2023
SCALE NTS