

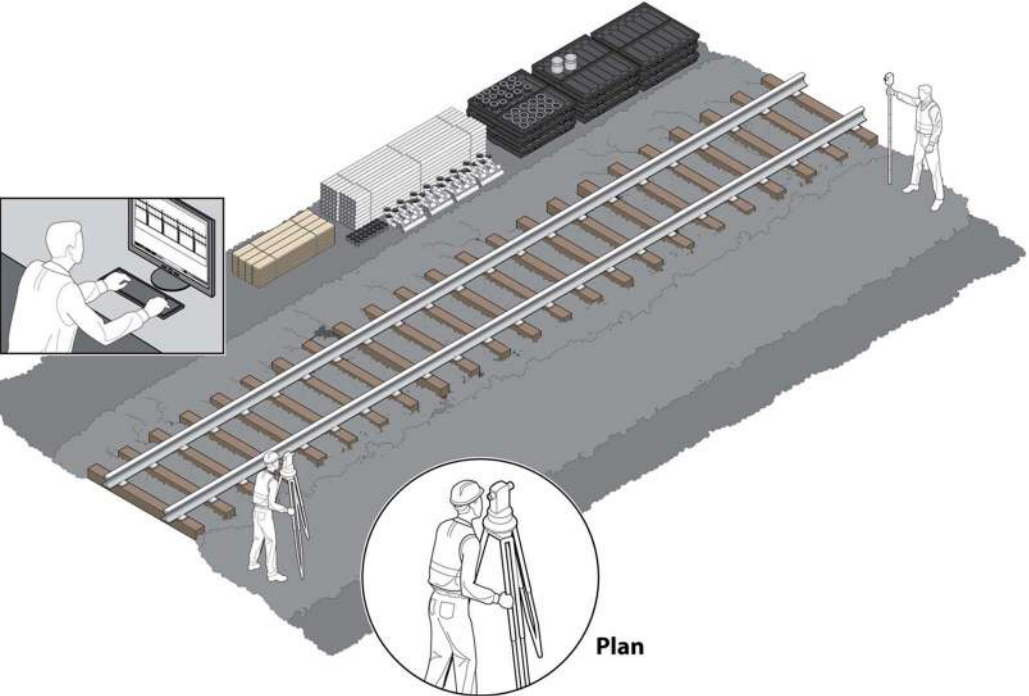


# Ultra-Track Pans<sup>®</sup>

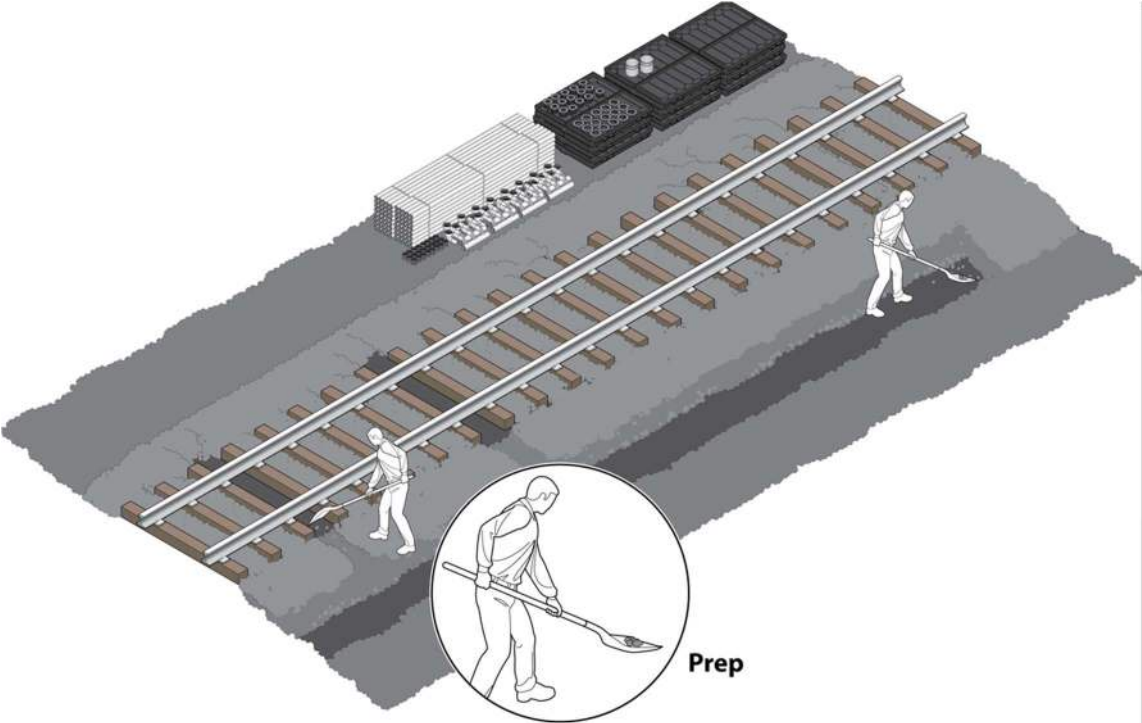
## BELOW GRADE PIPING INSTALLATION

Rev 01.12.2024

Survey to design correct slope for piping:

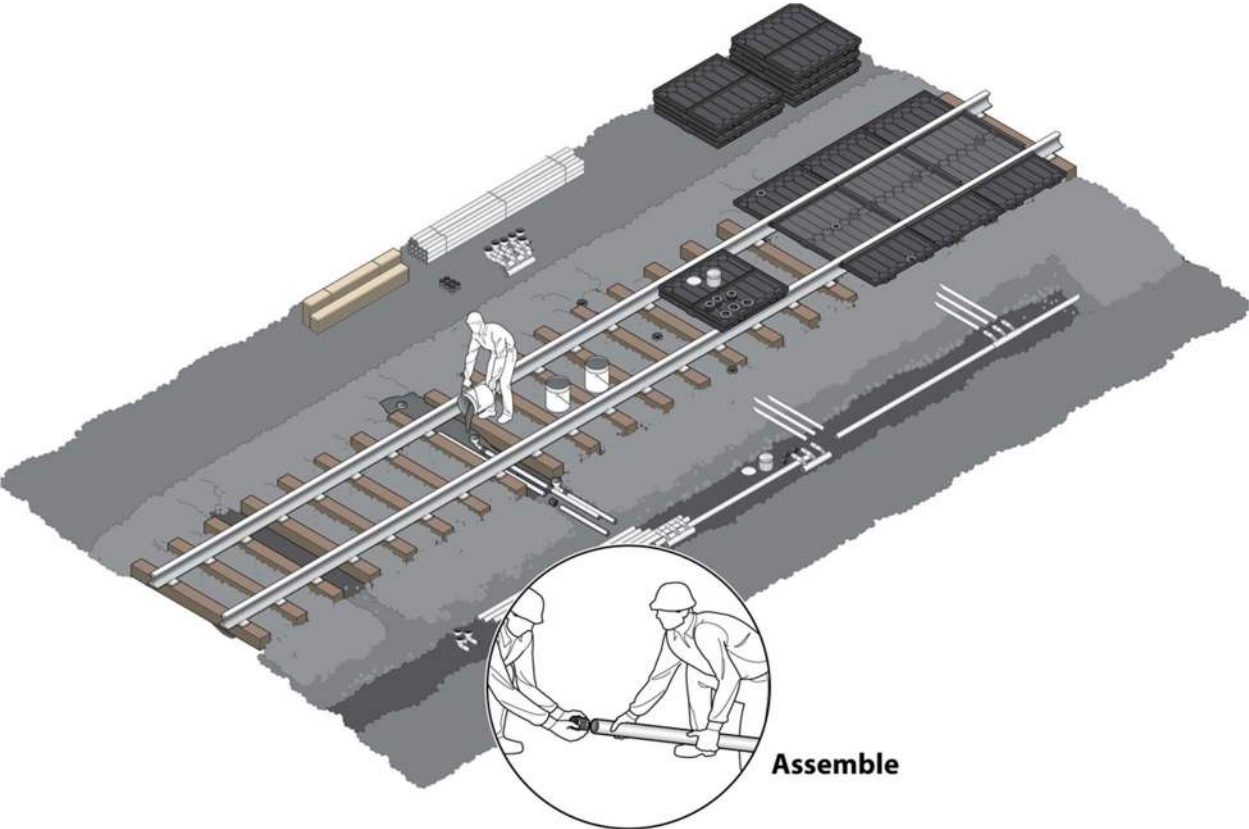


Excavation:

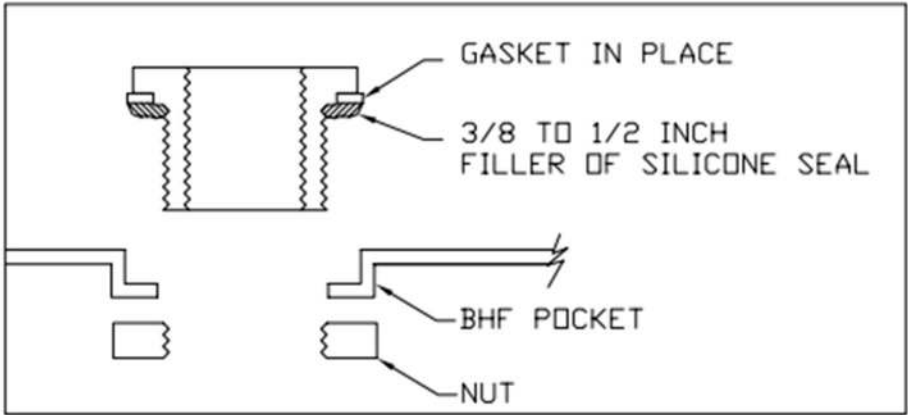




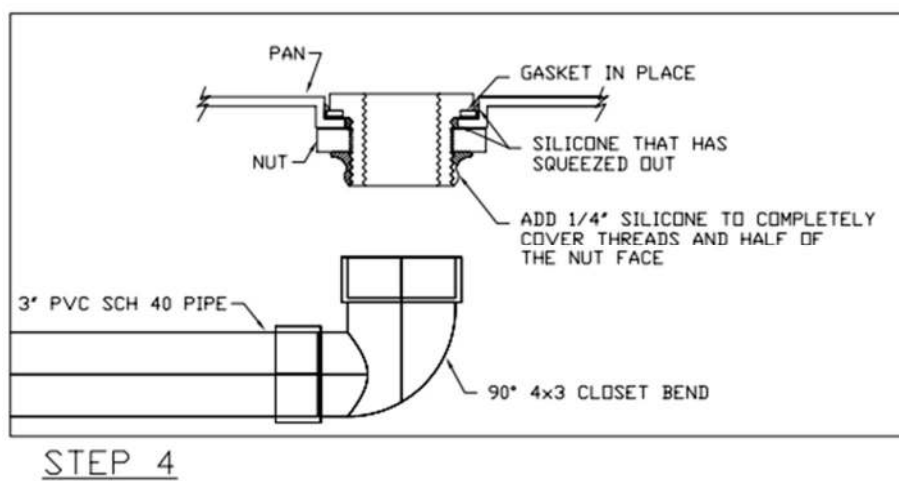
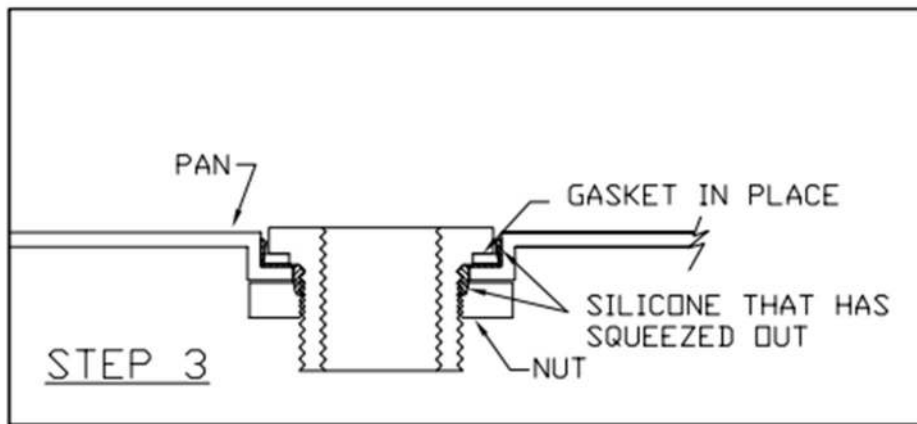
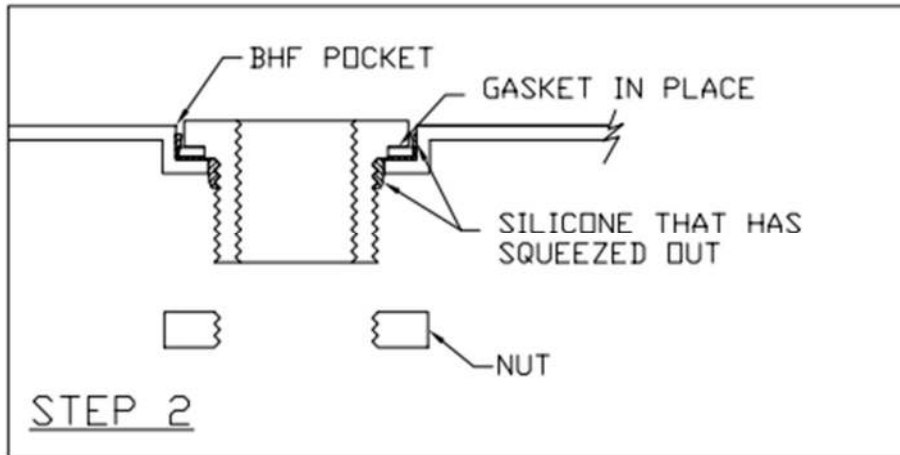
Early state pipe installation:

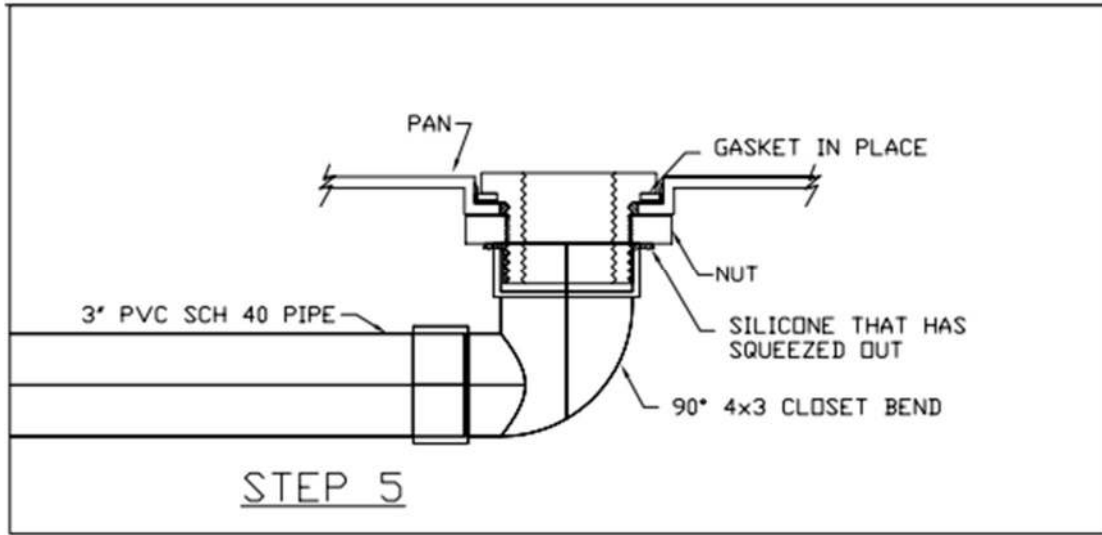


Pan Installation:



STEP 1





Backfill:



Finished Installation:

